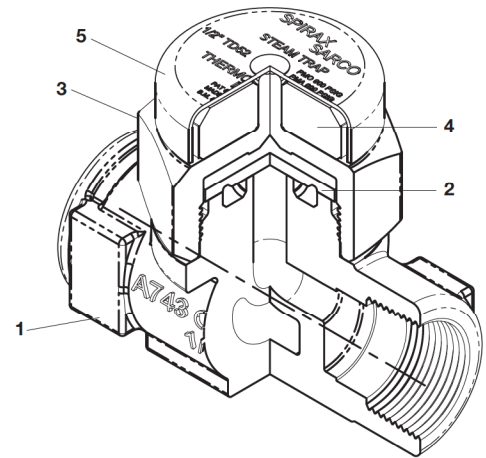


spirax sarco

Thermo-Dynamic® Steam Trap TD52

The **Thermo-Dynamic®** steam trap cycles periodically to discharge condensate very near to steam temperature. It is unaffected by waterhammer or superheat.

Model	TD52
PMO	600 psig
Sizes	3/8", 1/2", 3/4", 1"
Connections	NPT
Construction	stainless steel



Capacities

Pounds of condensate per hour continuous discharge at saturated steam temperature to atmosphere

Inlet Pressure psig	barg	3/8" TD52	1/2" TD52	TD52	TD52
		1/2" TD52L	3/4" TD52L	3/4"	1"
3.5	.24	180	300	405	640
5	.34	185	310	420	670
10	.69	190	345	470	725
20	1.4	200	410	560	865
30	2.1	215	465	640	980
50	3.5	245	575	810	1200
75	5.2	305	700	1000	1470
100	6.9	370	810	1160	1750
150	10.3	500	1000	1450	2200
200	13.8	610	1140	1670	2600
250	17.2	700	1270	1900	2900
300	20.7	790	1410	2100	3250
350	24.1	880	1530	2250	3500
400	27.6	960	1630	2430	3780
450	31.0	1050	1730	2600	4020
500	34.5	1100	1830	2750	4250
550	37.9	1160	1910	2900	4450
600	41.4	1250	2000	3050	4700

Limiting Operating Conditions

Max. Operating Pressure (PMO) 600 psig(42 barg)

Max. Operating Temperature 800°F (427°C) at all operating pressures

Minimum pressure for satisfactory operation is 3.5 psig, (0.24 barg).

Maximum back pressure should not exceed 80% of the inlet pressure under any conditions of operation, otherwise the trap may not shut.

Pressure Shell Design Conditions

PMA 600 psig/up to 800°F 42 barg/up to 427°C
Max. allowable pressure

TMA 800°F/0-600 psig 427°C/0-42 barg
Max. allowable temperature

Construction Materials

No.	Part	Material	
1	Body	Stainless Steel (with ENP)	ASTM A743 GR. CA40F
2	Disc	Stainless Steel	AISI 420
3	Cap	Stainless Steel (with ENP)	ASTM A743 GR. CA40F
4	Insulator	Ceramic	
5	Nameplate Cover	Stainless Steel	Type 304

Typical Applications

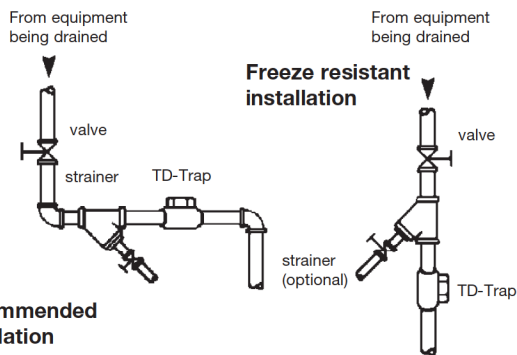
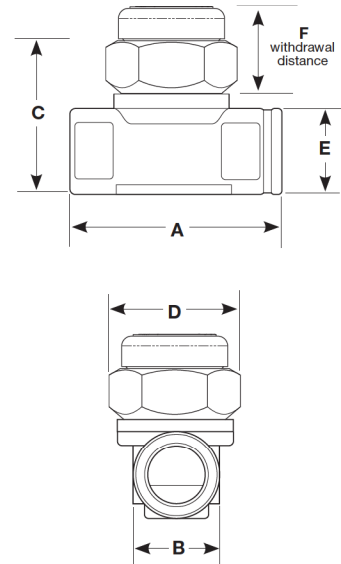
Steam main drainage and tracer lines, process equipment, laundry and kitchen equipment, superheated steam applications, outdoor installations subject to freezing.

Local regulation may restrict the use of this product below the conditions quoted. Limiting conditions refer to standard connections only. In the interests of development and improvement of the product, we reserve the right to change the specification.

TI-2-516-US 9.09

Thermo-Dynamic® Steam Trap TD52

Dimensions (nominal) in inches and millimeters							
Type	A	B	C	D	E	F	Weight
3/8" TD52	2 50.8	1.03 26.2	2.2 55.9	1.7 43.2	1 25.4	.4 10.2	.84 lbs .38 kg
1/2" TD52L	2.7 68.6	1.24 31.5	2.5 63.5	1.7 43.2	1.2 30.4	.4 10.2	1.2 lbs .54 kg
1/2" TD52	2.7 68.6	1.24 31.5	2.5 63.5	1.8 45.7	1.2 30.4	.4 10.2	1.2 lbs .54 kg
3/4" TD52L	2.8 71.1	1.56 39.6	2.8 71.1	1.8 45.7	1.5 38.1	.4 10.2	1.94 lbs .88 kg
3/4" TD52	2.8 71.1	1.56 39.6	2.9 73.7	2.1 53.3	1.5 38.1	.4 10.2	1.94 lbs .88 kg
1" TD52	3.3 83.8	1.91 46	3.4 86.4	2.5 63.5	1.8 45.7	6 15.2	3.13 lbs 1.42 kg



Installation

The preferred installation is in the horizontal position as close as possible to equipment being drained. Install strainer (20 mesh) upstream and full port isolating valves upstream and downstream of trap. Piping to and from the trap should be at least equal to or one size larger than trap connection. Do not weld pipe connection to trap. Body material is not suitable for welding. For freeze resistant installations, all drains must be pitched toward the trap for gravity flow. Trap must be installed vertically, discharging downward. Discharge piping must be self-draining.

Sample Specification

Steam trap shall be all stainless steel thermo-Dynamic® disc type with connections on a common center line, which will operate in any position. Integral seat design with hardened disc and seating surfaces. Trap to have integral insulating cap.

Maintenance

This product can be maintained without disturbing the piping connections. Complete isolation of the trap from both supply and return line is required before any servicing is performed.

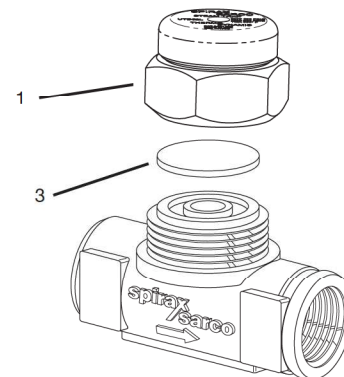
The trap should be disassembled periodically for inspection and cleaning of the disc and seat.

The only wearing parts of the trap are the disc and seat rings, which should be inspected and cleaned periodically. Slight wear can often be corrected by resurfacing on a lapping plate.

Caution: Only perform maintenance after trap has been isolated.

Complete installation and maintenance instructions are given in IM-2-516-US, which accompanies the product.

Spare Parts



Disc	3
Cap Assembly	1