

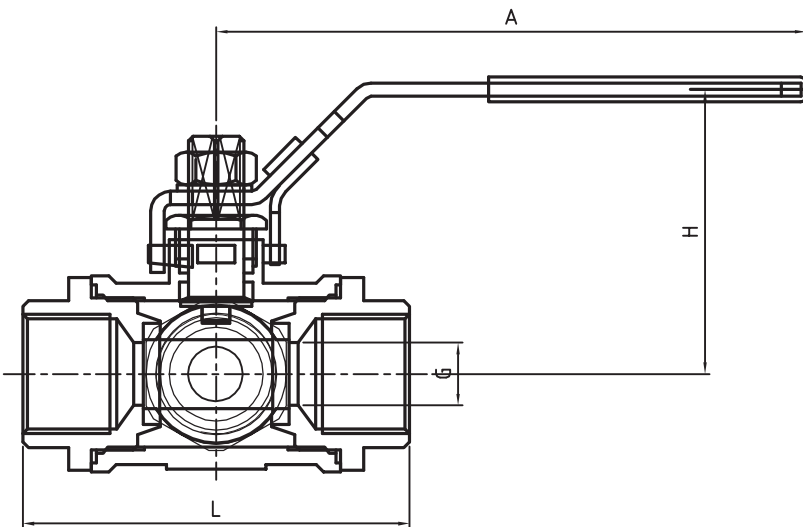
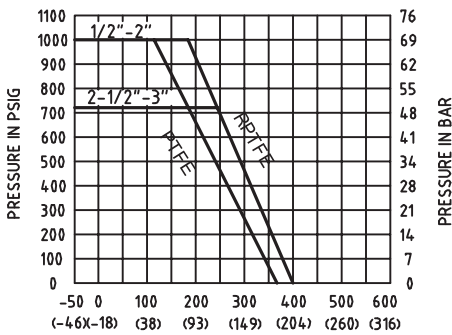
# 3 Way Ball Valve - S37

## Design Feature

- High Quality Investment Casting
- Body And Caps Blow-out Proof Stem
- Connection: Threaded BSP, NPT, BSPT
- Material: CF8, CF8M
- Pressure Rate: 1000PSI
- Temperature Range: -20~210°C
- Reduced Bore/ "L", "T" Port



Pressure Vs Temperature Chart



## Dimension:(mm)

DN	G	L	B	A	H
15	1/2"	70	12	110	58
20	3/4"	83	14	120	60
25	1"	92	18	140	70
32	1-1/4"	125	25	140	82
40	1-1/2"	140	32	180	95
50	2"	155	38	200	100

## Materials of Main Construction:

Name	Material
Body	SS316/304
Cop	SS316/304
Ball	SS316/304
Body Seat	PTFE
Body Seat	PTFE
Stem Seat	PTFE
Stem Packing	PTFE
Stem Woshr	SS304
Spring Washer	SS304
Stem nut	SS304
Stem	SS316/304
Handle	SS201
Handle sleeve	plastic