

LP Pressure Limiter

Device destined to protect gauges, pressure switches, pressure transmitters and others critical and expensive instruments against overpressures that could damage it. When, for any cause, pipeline pressure exceeds the maximum admitted value by the instrument, the limiter isolates it automatically from the circuit. When process pressure decreases to normal values, the limiter reconnects the instrument to the pipeline automatically, as well.

Special features

- Easy installation
- Low gap
- “Dry” spring, the fluid does not touch it
- Six standard ranges of pressures
- Continuously changeable outer calibration between limit values of each range
- Also available with sensitive bellow for a higher accuracy and lower hysteresis (LP1D model)
- Upon request it could be delivered calibrated to the requested value and with its respective identification



Technical data

Maximum overpressure:	LP1	2000 psi
	LP3 to LP18	3000 psi
	LP40 to LP 80	6000 psi

Service Temperature:	10 to 400 °F
----------------------	--------------

Accuracy:	± 10%	with piston-rod
	± 5%	with bellow

Hysteresis*:	± 10%	with piston-rod
	± 5%	with bellow

Valid if the pressure increase to the adjusted set in a time higher than 5 seconds and if, once closed, the pressure decrease at least 20% to close again in the indicated set.

**Difference between the closing of the valve when the pressure increases, and the opening when the pressure decreases.*

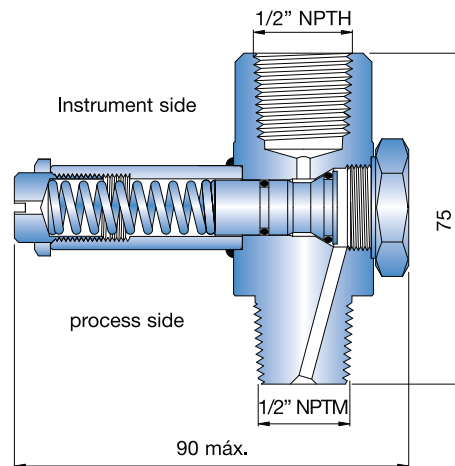
Standard materials:

Body	Plug	Bellow (when it is applied)	Seals
316 SS	316 SS	316 SS	Fluoroelastomer

How to Order

Model	Adjustable Range (Bar)
	With bellow
LP1D-I	1-3
With piston-rod	
LP1-I	1-3
LP3-I	3-6
LP6-I	6-18
LP18-I	18-40
LP40-I	40-80
LP80-I	80-160

Installation required dimensions



Warning: For a trouble-free performance, the fluids must be “clean”, that is to say, without particles in suspension and non-viscous. Is recommended to add a filter to avoid particles entering the system.