

VA2 Needle valves with screwed bonnet

The **VA2** line is integrated by needle valves with barstock or forged bodies, screwed bonnets and back seated stems. This valves fulfill shut off or regulation requirements.

This valves are used in sampling lines, pneumatic & hidraulic systems, test benches, panels, manifolds and laboratory applications.



Characteristics

- Threaded bonnet, without seal washer.
- Back seated stems for blocking or regulation applications.
- Different materials and packings.
- Straight or angle pattern.
- Threaded or tube connections.
- Panel nut to allow an easy mounting.
- Packing adjustable from the outside of the panel.
- Plastic metallic inserted handle for a comfortable operation.

Specifications

Maximum working pressure @ 70°F:	Carbon steel / S.Steel	6000 PSI
	Brass	3000 PSI

Maximum temperatures:	PTFE packing	500 °F
	Graphoil packing	940 °F (*)
	V4 tip	280 °F

(*) In high temperature applications, the plastic handle is replaced by a metallic one.

Standard materials (*)

Version	Body & bonnet	Stem	Packing
Carbon steel	Carbon steel	AISI 420	PTFE/Graphoil
Stainless steel	AISI 316	AISI 316	PTFE/Graphoil
Brass	Brass	AISI 316	PTFE

(*) Other materials on demand.

Flow capacity:

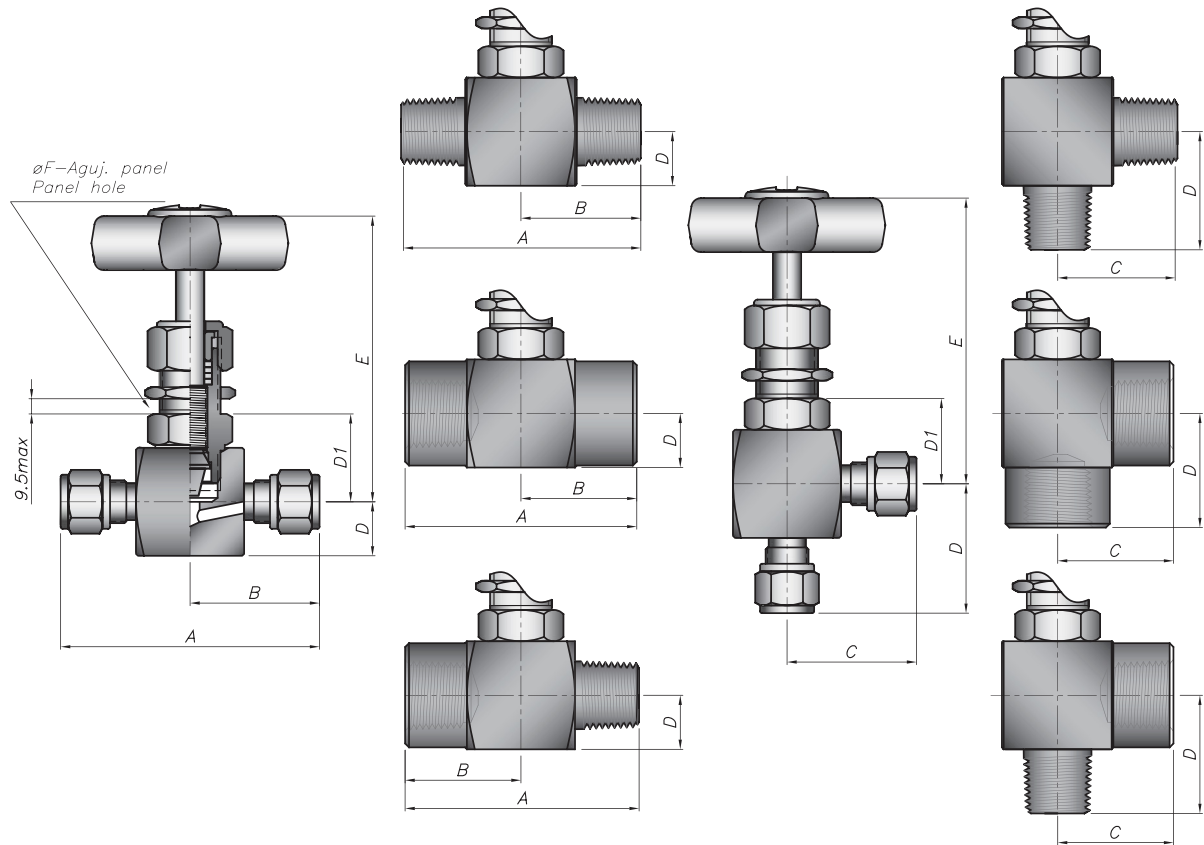
Orifice [mm]	Maximum CV coefficient
5.0	0.45
8.0	1.20

Ordering information:

VA2 50T C G-

<p>Model</p> <hr/> <p>Connections (see dimensions table)</p> <hr/> <p>Angle configuration option Add letter A</p> <hr/> <p>Regulation stem option Add letter R</p>	<p>Options</p> <p>OX : oxygen applications V1 : non rotating point V4 : soft tip stem SG: for sour gas</p> <p>Empaquetadura</p> <p>T : PTFE G : Graphoil</p> <p>Material</p> <p>C : Carbon steel I : Stainless steel B : Brass</p>
--	--

Installation required measures



Connections		Model	Orifice [mm]	Dimensions [mm]									
Inlet	Outlet			A	B	C	F	Straight			Angle		
		D	D1					E open	D	D1	E open		
1/4 NPT F	1/4 NPT F	VA225	5	60	30	32	16	13	22	73	32	22	72
1/4 NPT M	1/4 NPT M	VA225M	5	63	31	32	16	13	22	73	32	22	72
1/4 NPT F	1/4 NPT F	VA225M25	5	78	48	32	16	13	22	73	32	22	72
1/4 Tube	1/4 Tube	VA225T	3.75	74	37	40	16	13	22	73	40	22	72
3/8 NPT F	3/8 NPT F	VA238	5	60	30	32	16	14	23	74	32	22	72
3/8 NPT M	3/8 NPT M	VA238M	5	63	31	32	16	14	23	74	32	22	72
3/8 Tube	3/8 Tube	VA238T	5	76	38	41	16	14	23	74	41	22	72
1/2 NPT F	1/2 NPT F	VA250	8	74	37	40	20	16	28	86	40	35	92
1/2 NPT M	1/2 NPT M	VA250M	8	82	41	40	20	16	28	86	40	35	92
1/2 NPT M	1/2 NPT M	VA250M50	8	93	56	40	20	16	28	86	40	35	92
1/2 Tube	1/2 Tube	VA250T	8	104	52	52	20	16	28	86	52	35	92