

# VAA B Angle Relief Valves. Balanced stem.

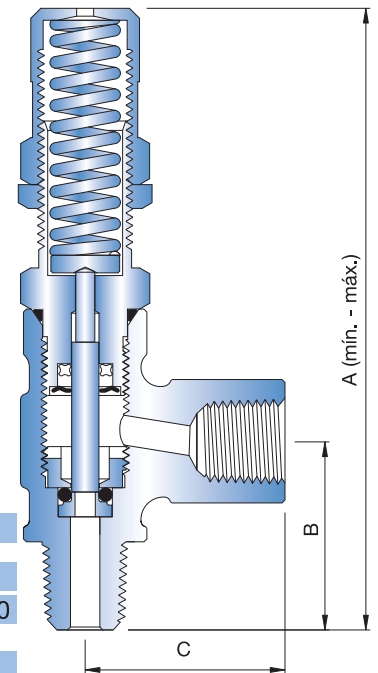
The design of this relief valve ensures that the breakdown pressure is only sensitive to the inlet pressure and not affected by the outlet pressure.

## Special Features

- External adjustment without disassembly the valve
- External range engraving
- Lock wire feature secures a given pressure setting
- Reliable retention of the sealing o'ring
- "Dry" spring, fluid does not touch it
- with ultra-hard plated and mirror finish for minimum friction
- 100% tested and calibrated in factory

## Technical Data

Accuracy:	± 5% set point	
Reseal Pressure:	≥ 50% set point	Ranges 15-5 and 5-50
	≥ 80% set point	Ranges 50-100 and 100-300
Coefficient CV:	See installment required dimensions	
Maximum operating temperature:	See How to Order.	
Maximum service pressure @ 70°F:	3000 psi	Ranges up to 50
	5000 psi	Ranges 50-100 and 100-300



Standard materials:

Body (*)	Inner parts	Regulation Cap and lock nut	Seal (*)	Spring
316 SS	316 SS	304 SS (VAAB25 model) Nickel brass (VAAB50 model)	Fluoroelastomer	302 SS

(\*) Other materials upon request.

## How to order

**VAA B 50M - 100 - I -**

<b>Model</b>	<b>O'ring</b>
<b>Inlet connection</b> See Table	<i>Blank:</i> fluoroelastomer (-20 °F to 400 °F) <b>B:</b> buna N (-40 °F to 250 °F) <b>E:</b> ethylene propylene (-70 °F to 300 °F) <b>S:</b> silicone (-70 °F to 450 °F)
<b>Set point range</b> See Table	<b>Material</b> <b>I:</b> Stainless steel

## Installment required dimensions

## Set Point

Conections		Model	Orifice [mm]	CV (*)	Dimensions [mm]			Code	Adjustable range [psi]
inlet	outlet				A (min/max)	B	C		
1/4" NPTF	1/4" NPTF	<b>VAAB 25-</b>	3.5	0.45	94 / 111	32	34	<b>15</b>	72~218
1/4" NPTM	1/4" NPTF	<b>VAAB 25M-</b>	3.5	0.45	94 / 111	32	34	<b>50</b>	218~725
3/8" NPTM	3/8" NPTF	<b>VAAB 38M-</b>	6	1.00	127 / 161	39	39	<b>100</b>	725~1450
1/2" NPTF	1/2" NPTF	<b>VAAB 50-</b>	10	2.40	160 / 200	41	41	<b>300</b>	1450~4350
1/2" NPTM	1/2" NPTF	<b>VAAB 50M-</b>	10	2.40	160 / 200	41	41		
3/4" NPTM	3/4" NPTF	<b>VAAB 75M-</b>	14	4.80	206 / 242	63	41		

(\*) Valve full open