

# VAA D Angle Relief Valve. Differential stem.

This valve is designed in such form that when the difference between the upstream pressure and the downstream pressure overcomes the force exerted by the spring, the plug opens, allowing flow through the outlet connection.

The flow through the valve increases proportionally to the increase of that pressure difference.

To increase the cracking pressure of the valve, the spring must be compressed by turning the adjustment cap clockwise.



## Special Features

- Angle pattern
- External adjustment without disassembly the valve
- Zero leak until the set point
- External range engraving.
- Lock wire feature secures a given pressure setting
- Low internal friction, reducing hysteresis.
- Reliable retention of the sealing o'ring.
- High flow capacity
- Male and female connections
- 100% tested and calibrated in factory

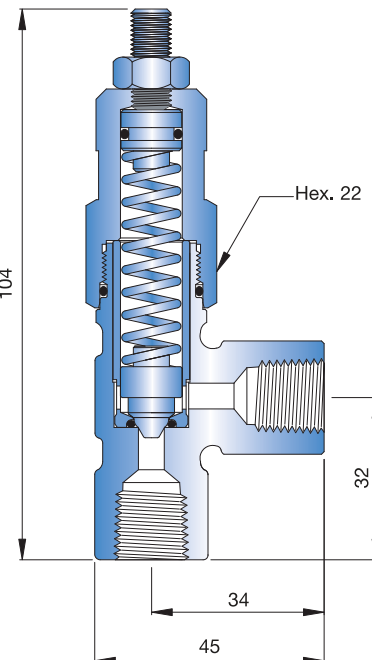
## Technical data

Accuracy:	±10% set point
Reseal pressure:	≥ 85% set point Ranges 20 and 75
	≥ 50% set point Range 5
Orifice:	Ø 5.5 mm (valve full open)
Coefficient CV:	0.72 (valve full open)
Maximum operating temperature:	See How to Order
Maximum service pressure @ 70°F:	3000 psi

Standard materials:

Body (*)	Inner Parts	Seal (*)	Spring
316 SS	316 SS	Fluoroelastomer	302 SS

(\*) Other materials upon request.



## How to Order

VAA D 25 - 20 - I -

### Model

### Inlet Connection

25: 1/4NPT F  
25M: 1/4NPT M

### Set point range

5: 14 - 70 psi  
20: 70 - 280 psi  
75: 280 - 1060 psi

### O'ring

Blank: fluoroelastomer (-20 °F to 400 °F)  
B: buna N (-40 °F to 250 °F)  
E: ethylene propylene (-70 °F to 300 °F)  
S: silicone (-70 °F to 450 °F)

### Material

I: Stainless steel