



PIPE TOOLS & VISES
SINCE 1896

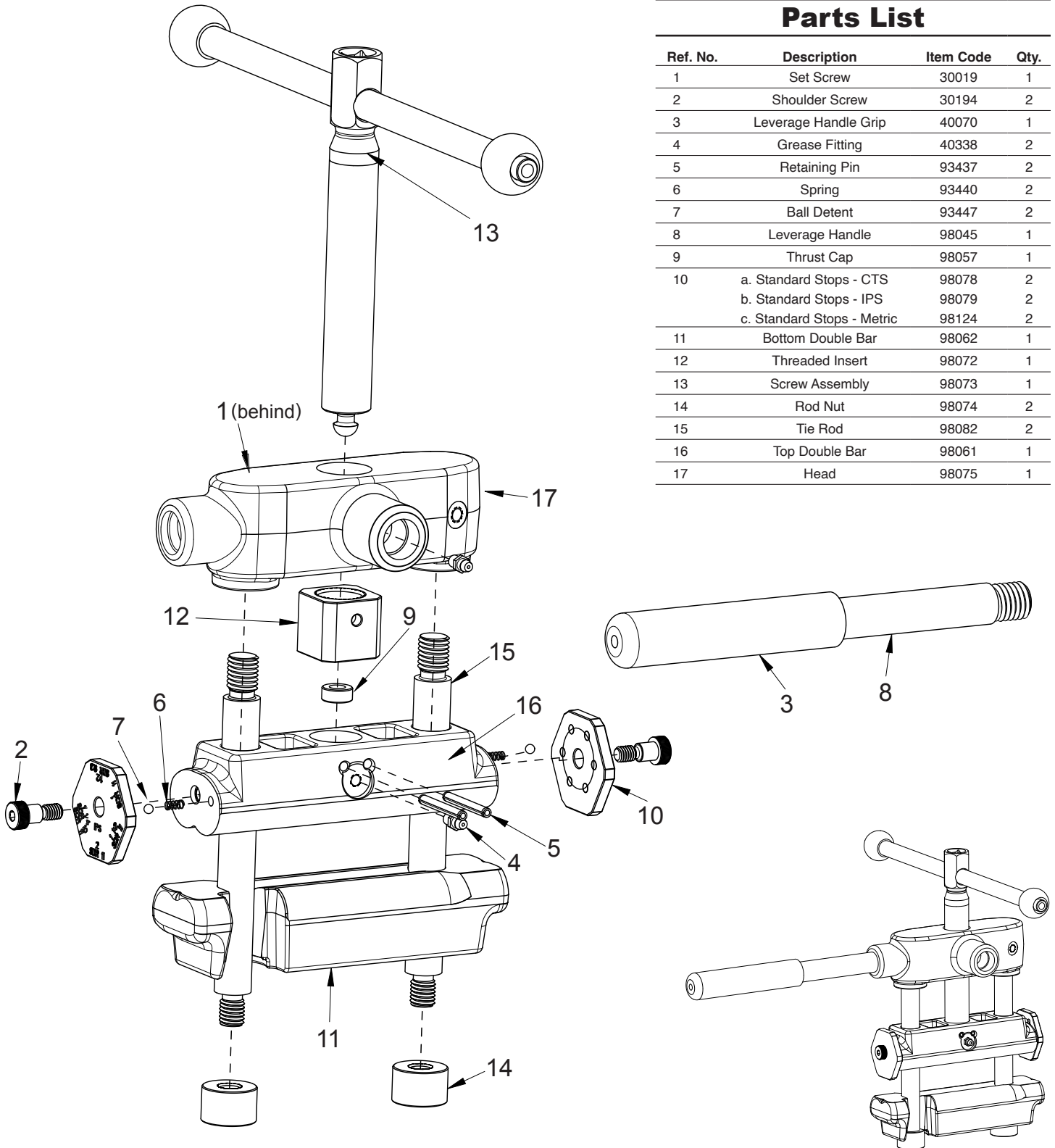
Double Squeeze™ PE Squeeze Tools

PES2IPSDB, PES2CTSDB, PES2DBM Replacement Parts

Applies to: 04332,
04333, 04334

Parts List

Ref. No.	Description	Item Code	Qty.
1	Set Screw	30019	1
2	Shoulder Screw	30194	2
3	Leverage Handle Grip	40070	1
4	Grease Fitting	40338	2
5	Retaining Pin	93437	2
6	Spring	93440	2
7	Ball Detent	93447	2
8	Leverage Handle	98045	1
9	Thrust Cap	98057	1
10	a. Standard Stops - CTS b. Standard Stops - IPS c. Standard Stops - Metric	98078 98079 98124	2 2 2
11	Bottom Double Bar	98062	1
12	Threaded Insert	98072	1
13	Screw Assembly	98073	1
14	Rod Nut	98074	2
15	Tie Rod	98082	2
16	Top Double Bar	98061	1
17	Head	98075	1



Reed Manufacturing
1425 West 8th Street
Erie, PA 16502 USA

QUALITY
& Service
that Last a Lifetime

Phone: 800-666-3691 or 814-452-3691
reedsales@reedmfgco.com
www.reedmfgco.com

RP-0624-146